

AZ7671

Discontinuation Notice

Discontinuation date:

2/1/2023

Recommended replacement: AZ7709

10A SPDT SUBMINIATURE POWER RELAY FEATURES

- Small footprint
- Low cost
- Class B insulation standard
- Epoxy sealed version available
- 10 Amp switching
- UL, CUR file E44211



CONTACTS

Arrangement	SPST (1 Form A) SPDT (1 Form C)
Ratings	Resistive load: Max. switched power: 150W 1250VA Max. switched current: 10A Max. switched voltage: 30VDC* or 277VAC *Note: If switching voltage is greater than 30VDC, special precautions must be taken. Please contact the factory.
Rated Load UL, CUR	10A at 125VAC 5A at 250VAC 1/4HP at 120/240/277VAC TV-5 at 120VAC 24VA at 24VAC 125VA at 120/240/277VAC C150 at 120VAC
Material	Silver cadmium oxide
Resistance	<100 milliohms initially (24V, 1A voltage drop method)

GENERAL DATA

Life Expectancy Mechanical Electrical	Minimum operations 1 x 10 ⁷ 1 x 10 ⁵ at 5A, 240VAC Res.
Operate Time (typical)	8ms at nominal coil voltage
Release Time (typical)	5ms at nominal coil voltage (with no coil suppression)
Dielectric Strength (at sea level for 1 min.)	2000Vrms coil to contact 1000Vrms between open contacts
Insulation Resistance	100 megohms min. at 20°C 500VDC 50% RH
Dropout	Greater than 5% of nominal coil voltage
Ambient Temperature Operating	At nominal coil voltage -40°C (-40°F) to 70°C (158°F)
Storage	-40°C (-40°F) to 130°C (266°F)
Vibration	0.062" DA at 10–50 Hz
Shock	10 g
Enclosure	P.B.T. polyester
Terminals	Tinned copper alloy, P.C.
Max. Solder Temp.	270°C (518°F)
Max. Solder Time	5 seconds
Max. Solvent Temp.	80°C (176°F)
Max. Immersion Time	30 seconds
Weight	6 grams

COIL

Power At Pickup Voltage (typical)	253mW standard
Max. Continuous Dissipation	1.25W at 20°C (68°F) ambient
Temperature Rise	41°C (74°F) at nominal coil voltage, standard
Temperature	Max. 105°C (221°F)

NOTES

1. All values at 20°C (68°F).
2. Relay may pull in with less than "Must Operate" value.
3. Specifications subject to change without notice.

AMERICAN ZETTLER, INC.

11/30/17

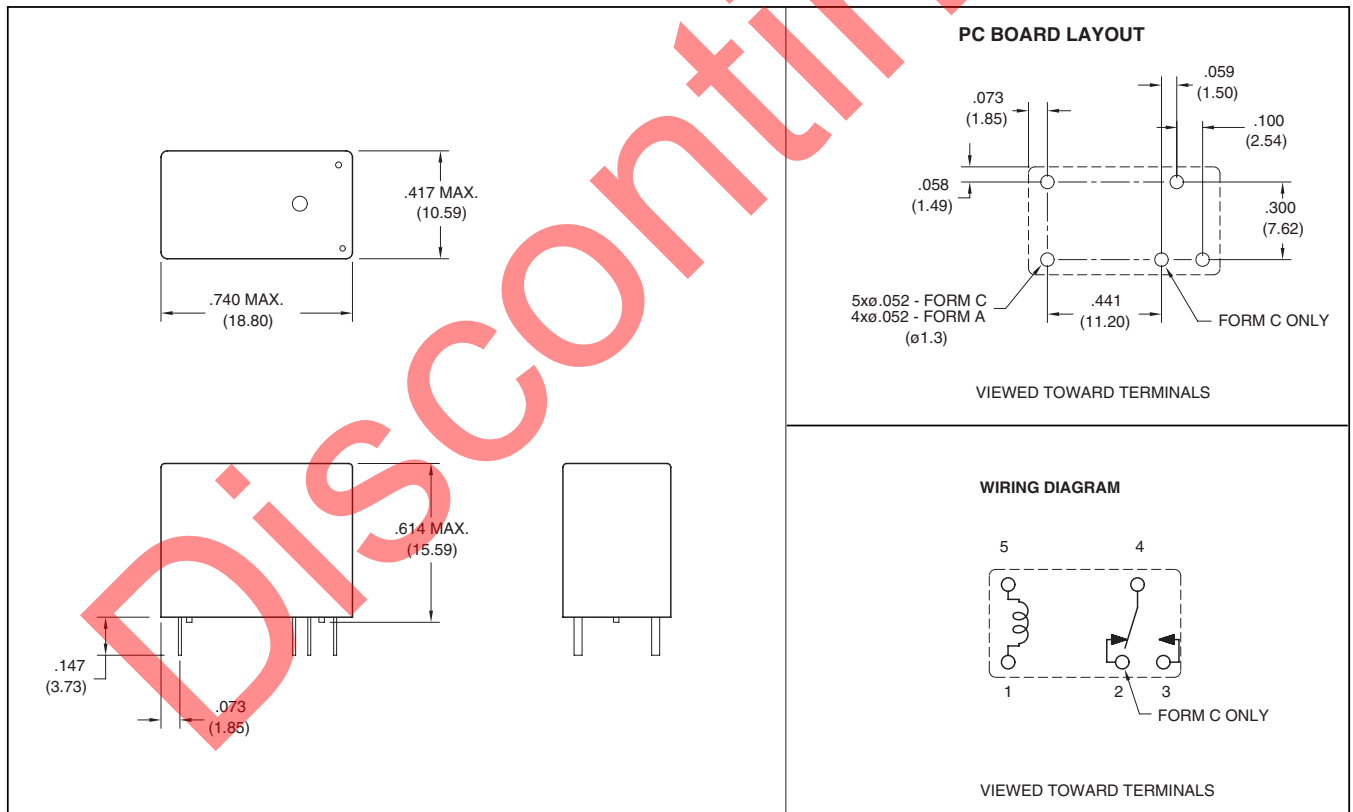
AZ7671

RELAY ORDERING DATA

COIL SPECIFICATIONS				ORDER NUMBER*	
Nominal Coil VDC	Must Operate VDC	Max. Continuous VDC	Coil Resistance $\pm 10\%$	Form A (SPST)	Form C (SPDT)
3	2.25	3.9	20	AZ7671-1A-3D	AZ7671-1C-3D
5	3.75	6.5	55	AZ7671-1A-5D	AZ7671-1C-5D
6	4.5	7.8	80	AZ7671-1A-6D	AZ7671-1C-6D
9	6.75	11.7	180	AZ7671-1A-9D	AZ7671-1C-9D
12	9.0	15.6	320	AZ7671-1A-12D	AZ7671-1C-12D
18	13.5	23.4	720	AZ7671-1A-18D	AZ7671-1C-18D
24	18.0	31.2	1,280	AZ7671-1A-24D	AZ7671-1C-24D

* Add suffix "E" for epoxy sealed version.

MECHANICAL DATA



Dimensions in inches with metric equivalents in parentheses. Tolerance: $\pm .010''$

AMERICAN ZETTLER, INC.

11/30/17

PHONE: (949) 831-5000

www.azettler.com

E-MAIL: SALES@AZETTLER.COM

This specification provides an overview of the most significant part features. Any individual applications and operating conditions are not taken into consideration. It is recommended to test the product under application conditions. Responsibility for the application remains with the customer. Proper operation and service life cannot be guaranteed if the part is operated outside the specified limits.